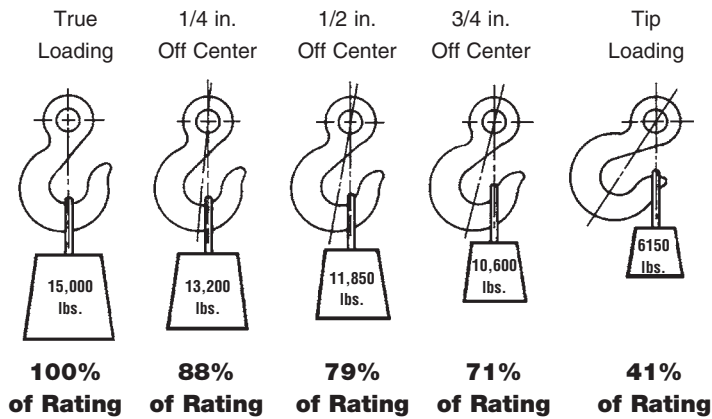
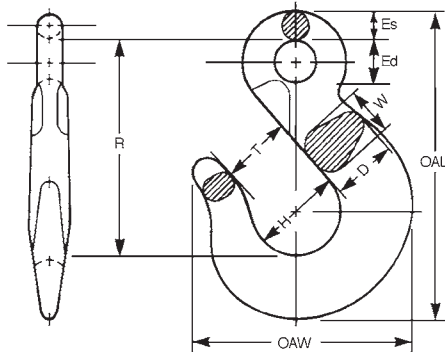


How Off-Center (Tip) Loading Reduces Working Load Limits of 1/2" - Cam-Alloy Sling Hooks



Cam-Alloy Sling Hooks



Chain Size	in.	mm	System	Hook No.	Cat. No.	UPC No. 020418	Approx. Weight Each		Working Load Limit	
							lb	kg	lb	kg
9/32	7	10	C-80	5646415	222320	1.3	.6	4,300	1,950	
3/8	10	10	C-81	5646615	221583	2.7	1.2	8,800	4,000	
1/2	13	10	C-82	5646815	222856	5.40	2.4	15,000	6,800	
5/8	16	10	C-83	5647015	225109	10.00	4.5	22,600	10,300	
3/4	20	10	C-84	5647215	225093	15.00	6.8	35,300	16,000	
7/8	22	10	C-85	5645415	152962	18.50	8.4	42,700	19,400	
1	26	8	C-86	5641615	078859	27.00	12.0	47,700	21,600	

Slings

Chain Size	Dimensions																		
	R		T		H		Ed		Es		D		W		OAL		OAW		
in.	mm	in.	mm	in.	mm	in.	mm	in.	mm	in.	mm	in.	mm	in.	mm	in.	mm	in.	mm
9/32	7	4.50	114	1.25	32	1.50	38	.75	19	.44	11	1.14	29	.75	19	5.56	141	3.59	91
3/8	10	4.75	121	1.62	41	2.13	54	.813	21	.594	15	1.46	37	1.05	27	6.59	167	4.50	114
1/2	13	5.70	145	1.88	48	2.25	57	1.13	29	.804	20	2.00	51	1.42	36	8.37	213	5.65	143
5/8	16	7.47	190	2.34	59	2.62	67	1.31	33	.875	22	2.42	61	1.54	39	10.47	266	6.67	169
3/4	19	8.00	203	2.53	64	3.00	76	1.50	38	1.00	25	2.91	74	1.83	46	11.59	294	7.77	197
7/8	22	9.75	248	3.18	81	3.75	95	2.00	51	1.12	28	2.88	73	1.88	48	13.38	340	8.75	222
1	26	10.18	259	3.25	83	4.25	108	1.94	49	1.38	35	3.50	89	2.38	60	14.56	370	9.59	244

⚠️ ADVERTENCIA

Para prevenir la posibilidad de una lesión personal seria:

- **NO EXCEDA** los límites de carga de las cadenas o componentes.
- **NO LA UTILICE** si la cadena o los componentes están visualmente distorsionados o gastados.

⚠️ WARNING

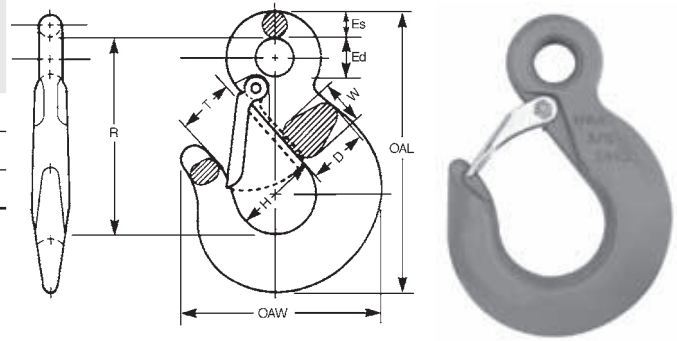
To prevent the possibility of serious bodily injury:

- **DO NOT EXCEED** the working load limits for chain or components.
- **DO NOT USE** if the chain or components are visibly distorted or worn.

Cam-Alloy Sling Hooks with Latches

Chain Size	in.	mm	System	Hook No.	Cat. No.	UPC No. 020418	Approx. Weight Each		Working Load Limit	
							lb	kg	lb	kg
9/32	7	10	C-90	5646495	222313	1.24	.56	4,300	1,950	
3/8	10	10	C-91	5646695	221590	2.7	1.22	8,800	4,000	
1/2	13	10	C-92	5646895	222870	5.6	2.54	15,000	6,800	

Dimensions and weights are approximate.
WARNING: Do not exceed Working Load Limit.



Chain Size	Dimensions																		
	R		T		H		Ed		Es		D		W		OAL		OAW		
in.	mm	in.	mm	in.	mm	in.	mm	in.	mm	in.	mm	in.	mm	in.	mm	in.	mm	in.	mm
9/32	7	4.50	114	.875	22	1.50	38	.75	19	.44	11	1.14	29	.75	19	5.56	141	3.59	91
3/8	10	4.75	121	1.314	33	2.13	54	.813	21	.594	15	1.46	37	1.05	27	6.59	167	4.50	114
1/2	13	5.70	145	1.5	38	2.25	57	1.13	29	.804	20	2.00	51	1.42	36	8.37	213	5.65	143

Cam-Alloy Latches (Old Style)

Chain Size	Sling Hook	Sling Hook with Latch	Standard Latch No.	
in.	mm			
9/32	7	5644415	5644495	3990401
3/8	10	5644615	5644695	3990601
1/2	13	5644815	5644895	3990701
5/8	16	5645015	5645095	3991001
3/4	20	5645215	5645295	3991001
7/8	22	5645415	5645495	3991409
1	26	5641615	5641695	3991409



Cam-Alloy Latches (New Style)

Chain Size	Sling Hook	Sling Hook with Latch	Standard Latch No.	
in.	mm			
9/32	7	5646415	5646495	7506495
3/8	10	5646615	5646695	7506695
1/2	13	5646815	5646895	7506895
5/8	16	5647015	5647095	7507095
3/4	20	5647215	5647295	7507295



Slings

⚠ ADVERTENCIA

Para prevenir la posibilidad de una lesión personal seria:

- **NO EXCEDA** los límites de carga de las cadenas o componentes.
- **NO LA UTILICE** si la cadena o los componentes están visualmente distorsionados o gastados.

⚠ WARNING

To prevent the possibility of serious bodily injury:

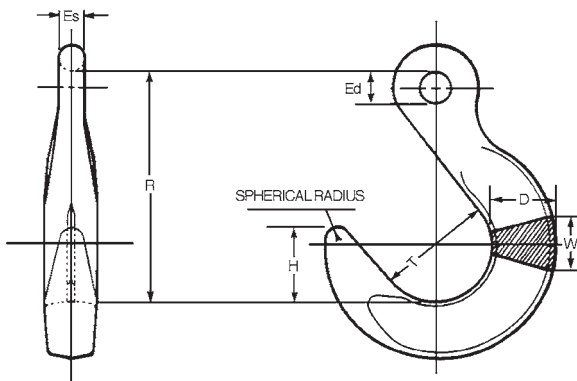
- **DO NOT EXCEED** the working load limits for chain or components.
- **DO NOT USE** if the chain or components are visibly distorted or worn.

Cam-Alloy Foundry Hooks



Chain Size		System	Hook No.	Cat. No.	UPC No. 020418	Approx. Weight Each		Working Load Limit	
in.	mm					lb	kg	lb	kg
9/32	7	10	C-498	5664415	182457	2.2	.99	4,300	1,950
3/8	10	10	C-499	5664615	182464	3.9	1.80	8,800	4,000
1/2	13	10	C-500	5664815	182471	6.7	3.00	15,000	6,800
5/8	16	10	C-501	5665015	182488	10.5	4.80	22,600	10,300
3/4	20	10	C-502	5665215	182495	15.6	7.10	35,300	16,000
7/8	22	10	C-503	5665415	152948	24.1	10.90	42,700	19,400
1	26	8	C-504	5661615	078965	33.7	15.30	47,700	21,600
1 1/4	32	8	C-505	5662015	078972	52.0	23.60	72,300	32,800

Dimensions and weights are approximate.
WARNING: Do not exceed Working Load Limit.



Chain Size		Dimensions															
		R		T		Ed		Es		D		W		H		Spherical Radius	
in.	mm	in.	mm	in.	mm	in.	mm	in.	mm	in.	mm	in.	mm	in.	mm	in.	mm
9/32	7	4.75	121	2.5	64	.62	16	.47	12	1.30	33	1.00	25	1.56	40	.25	6
3/8	10	5.75	146	3.0	76	.75	19	.62	16	1.56	40	1.25	32	1.87	47	.31	8
1/2	13	6.87	174	3.5	89	1.00	25	.75	19	1.81	46	1.50	38	2.25	57	.37	9
5/8	16	8.06	205	4.0	102	1.25	32	.87	22	2.33	59	1.75	44	2.62	67	.44	11
3/4	20	9.25	235	4.5	114	1.50	38	1.00	25	2.81	71	2.00	51	3.00	76	.50	13
7/8	22	10.37	263	5.0	127	1.84	47	1.12	28	3.08	78	2.25	57	3.37	86	.56	14
1	26	11.56	294	5.5	140	2.09	53	1.25	32	3.25	83	2.50	64	3.75	95	.62	16
1 1/4	32	12.87	327	6.0	152	2.47	63	1.37	35	3.88	99	3.00	76	4.25	108	.75	19

Slings

⚠️ ADVERTENCIA

Para prevenir la posibilidad de una lesión personal seria:

- **NO EXCEDA** los límites de carga de las cadenas o componentes.
- **NO LA UTILICE** si la cadena o los componentes están visualmente distorsionados o gastados.

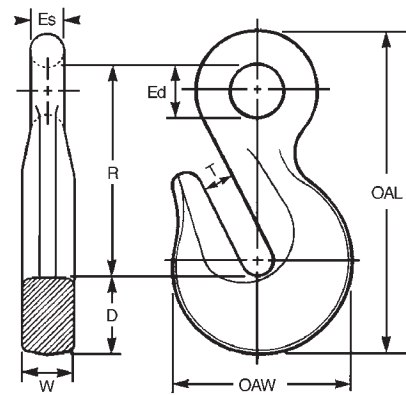
⚠️ WARNING

To prevent the possibility of serious bodily injury:

- **DO NOT EXCEED** the working load limits for chain or components.
- **DO NOT USE** if the chain or components are visibly distorted or worn.

Cam-Alloy Grab Hooks

Chain Size	in.	mm	System	Hook No.	Cat. No.	UPC No. 020418	Approx. Weight Each		Working Load Limit	
							lb	kg	lb	kg
9/32	7	10	C-72	5624415	182303	.60	.27	4,300	1,950	
3/8	10	10	C-73	5624615	182310	.90	.41	8,800	4,000	
1/2	13	10	C-75	5624815	182327	1.78	.81	15,000	6,800	
5/8	16	10	C-76	5625015	182334	4.41	2.00	22,600	10,300	
3/4	20	10	C-77	5625215	182341	7.50	3.40	35,300	16,000	
7/8	22	10	C-78	5625415	152979	12.20	5.50	42,700	19,400	
1	26	8	C-79	5621615	078651	19.90	9.03	47,700	21,600	
1 1/4	32	8	C-51	5622015	180156	38.10	17.30	72,300	32,800	



Chain Size	Dimensions																
	R		T		Ed		Es		D		W		OAL		OAW		
	in.	mm	in.	mm	in.	mm	in.	mm	in.	mm	in.	mm	in.	mm	in.	mm	
9/32	7	2.50	64	.37	9	.56	14	.37	9	.81	21	.59	15	3.69	94	1.87	47
3/8	10	2.41	61	.50	13	.75	19	.44	11	1.16	29	.66	17	4.00	102	2.56	65
1/2	13	3.40	86	.66	17	1.12	28	.56	14	1.44	37	.88	22	5.40	137	3.50	89
5/8	16	4.22	107	.78	20	1.22	31	.69	18	1.75	44	1.12	28	6.66	169	4.25	108
3/4	20	5.15	131	.94	24	1.44	37	1.00	25	2.12	54	1.38	35	8.28	210	5.18	132
7/8	22	7.00	178	1.06	27	1.75	44	1.00	25	2.44	62	1.62	41	10.44	265	5.68	144
1	26	7.98	203	1.19	30	1.87	47	1.12	28	3.00	76	1.81	46	12.14	308	6.75	171
1 1/4	32	10.00	254	1.50	38	2.25	57	1.50	38	3.75	95	2.25	57	15.25	387	8.63	219

Dimensions and weights are approximate.

Note: Use of chain in a grab hook may reduce the breaking load of the chain by up to 20%

Slings

⚠️ ADVERTENCIA

Para prevenir la posibilidad de una lesión personal seria:

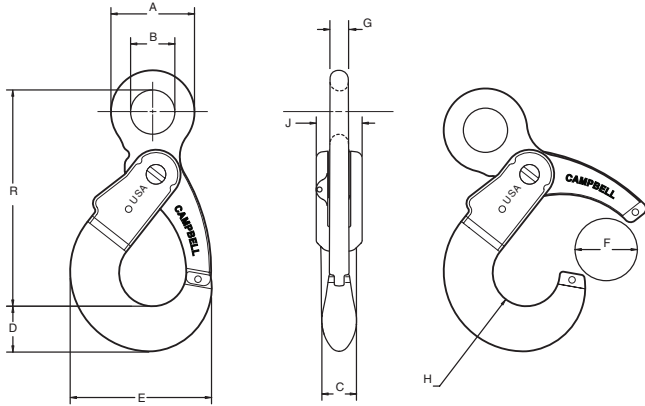
- **NO EXCEDA** los límites de carga de las cadenas o componentes.
- **NO LA UTILICE** si la cadena o los componentes están visualmente distorsionados o gastados.

⚠️ WARNING

To prevent the possibility of serious bodily injury:

- **DO NOT EXCEED** the working load limits for chain or components.
- **DO NOT USE** if the chain or components are visibly distorted or worn.

Self-locking Eye Hooks



- Fatigue tested to ASTM A952
- Meets the intent of OSHA regulation 1926.550(g)(4)(iv)(b)
- Latch closes automatically under load
- Integrated forged latch with positive lock capability
- Trigger assembly is completely replaceable
- Eye style is designed to accommodate heavy duty wire rope thimbles
- Stamped with recommended wire rope size



Chain Size	Cat. No.	UPC No. 020418	Approx. Weight Each		Working Load Limit		Wire Rope Size		Working Load Limit 5 to 1*	
			lb	kg	lb	kg	in.	mm	lb	kg
9/32	7	5648495	2.25	1.06	4,300	1,950	7/16	11	3,800	1,724
3/8	10	5648695	4	1.86	8,800	4,000	1/2	13	7,000	3,175
1/2	13	5648895	8.65	3.97	15,000	6,800	5/8	16	12,000	5,443
5/8	16	5649095	13.8	6.03	22,600	10,300	7/8	22	18,000	8,165

*To meet the design requirements of Wire Rope Slings.

Chain Size	Dimensions																			
	A		B		C		D		E		F		G		H		J		R	
in. mm	in.	mm	in.	mm	in.	mm	in.	mm	in.	mm	in.	mm	in.	mm	in.	mm	in.	mm	in.	mm
9/32 7	1.875	47.6	1.000	25.4	0.938	23.8	1.020	25.9	3.594	91.3	1.625	41.3	0.438	11.1	0.875	22.2	1.250	31.8	5.468	138.9
3/8 10	2.375	60.3	1.375	34.9	1.125	28.6	1.250	31.8	4.312	109.5	1.875	47.6	0.578	14.7	1.063	27.0	1.500	38.1	6.500	165.1
1/2 13	3.188	81.0	1.688	42.9	1.312	33.3	1.796	45.6	5.404	137.3	2.250	57.2	0.688	17.5	1.281	32.5	1.750	44.5	8.750	222.3
5/8 16	3.500	88.9	2.000	50.8	1.500	38.1	2.169	55.1	6.500	165.1	2.375	60.3	0.750	19.1	1.500	38.1	2.000	50.8	10.000	254.0

Slings

Repair Kits



5788495

Hook Size	Cat. No.	UPC No. 020418
9/32	7	5788495
3/8	10	5788695
1/2	13	5788895
5/8	16	5789095

Repair Kit Contents:

- Pivot Pin
- Drive Pins (3)
- Trigger
- Trigger Spring
- Spring Alignment Insert

⚠️ ADVERTENCIA

Para prevenir la posibilidad de una lesión personal seria:

- **NO EXCEDA** los límites de carga de las cadenas o componentes.
- **NO LA UTILICE** si la cadena o los componentes están visualmente distorsionados o gastados.

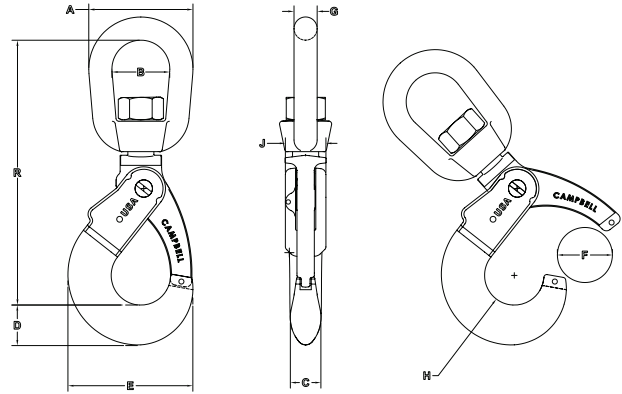
⚠️ WARNING

To prevent the possibility of serious bodily injury:

- **DO NOT EXCEED** the working load limits for chain or components.
- **DO NOT USE** if the chain or components are visibly distorted or worn.

Self-locking Swivel Hooks

- Fatigue tested to ASTM A952
- Meets the intent of OSHA regulation 1926.550(g)(4)(iv)(b)
- Latch closes automatically under load
- Integrated forged latch with positive lock capability
- Trigger assembly is completely replaceable
- **HOOK IS NOT DESIGNED TO SWIVEL UNDER LOAD**



Chain Size in. mm	Cat. No.	UPC No. 020418	Approx. Weight Each		Working Load Limit		Wire Rope Size		Working Load Limit 5 to 1*	
			lb	kg	lb	kg	in.	mm	lb	kg
9/32 7	5798495	226830	2.25	1.06	4,300	1,950	7/16	11	3,800	1,724
3/8 10	5798695	226847	4	1.86	8,800	4,000	1/2	13	7,000	3,175
1/2 13	5798895	226878	8.65	3.97	15,000	6,800	5/8	16	12,000	5,443
5/8 16	5799095	226861	13.8	6.03	22,600	10,300	7/8	22	18,000	8,165

*To meet the design requirements of Wire Rope Slings.



Chain Size in. mm	Dimensions																			
	A		B		C		D		E		F		G		H		J		R	
	in.	mm	in.	mm	in.	mm	in.	mm	in.	mm	in.	mm	in.	mm	in.	mm	in.	mm	in.	mm
9/32 7	3.000	76	1.750	44	0.938	23.8	1.020	25.9	3.594	91.3	1.625	41.3	0.625	16	0.875	22.2	1.250	31.8	7.688	195
3/8 10	3.500	89	2.000	51	1.125	28.6	1.250	31.8	4.312	109.5	1.875	47.6	0.750	19	1.063	27.0	1.500	38.1	8.813	224
1/2 13	4.500	114	2.500	64	1.312	33.3	1.796	45.6	5.404	137.3	2.250	57.2	1.000	25	1.281	32.5	1.750	44.5	11.250	286
5/8 16	5.625	143	3.500	89	1.500	38.1	2.169	55.1	6.500	165.1	2.375	60.3	1.250	32	1.500	38.1	2.000	50.8	13.438	341

Slings

⚠ ADVERTENCIA

Para prevenir la posibilidad de una lesión personal seria:

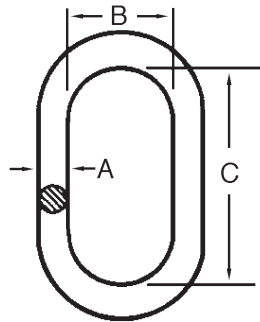
- **NO EXCEDA** los límites de carga de las cadenas o componentes.
- **NO LA UTILICE** si la cadena o los componentes están visualmente distorsionados o gastados.

⚠ WARNING

To prevent the possibility of serious bodily injury:

- **DO NOT EXCEED** the working load limits for chain or components.
- **DO NOT USE** if the chain or components are visibly distorted or worn.

Cam-Alloy Oblong Links



Link No.	Cat. No.	UPC No. 020418	Approx. Weight Each		Working Load Limit 4 to 1*	
			lb	kg	lb	kg
CO-0	5685615	079214	.50	.23	4,200	1,900
VO-1	5683215	182549	1.90	.86	8,600	3,900
VO-2	5683315	182556	2.63	1.19	17,600	8,000
VO-3	5683415	182563	6.78	3.08	30,000	13,600
VO-4	5683515	182570	9.20	4.17	45,200	20,500
VO-5	5683615	182587	18.90	8.60	70,600	32,100
VO-6	5683715	182594	28.71	13.00	105,900	48,100
CO-7	5687015	079351	37.80	16.92	102,600	46,600
CO-8	5687215	079375	54.00	24.49	144,600	65,700

Link No.	Nominal Diameter Material A		Inside				Used with Type and Size of Sling					
							Width B		Length C		Single Type S & C	
	in.	mm	in.	mm	in.	mm	in.	mm	in.	mm	in.	mm
CO-0	13/32	10	1 1/2	38	3	76	7/32	6	7/32	6	-	-
VO-1	37/64	15	2 1/2	64	5	127	9/32	7	9/32	7	7/32	6
VO-2	13/16	21	3	76	6	152	3/8	10	3/8	10	9/32	7
VO-3	1 1/8	29	4	102	8	203	1/2 or 5/8	13 or 16	1/2	13	3/8	10
VO-4	1 1/4	32	4	102	8	203	3/4	19	5/8	16	1/2	13
VO-5	1 5/8	41	5 1/4	133	10 1/2	267	7/8	22	3/4	19	5/8	16
VO-6	1 7/8	48	6	152	12	305	1	26	7/8	22	3/4	19
CO-7	2	51	7	178	14	356	1 1/4 or 1 1/2	32 or 38	1	26	--	--
CO-8	2 1/4	57	8	203	16	406	-	-	1 1/4 or 1 1/2	32 or 38	7/8 or 1	22 or 26

Dimensions and weights are approximate.

Slings

⚠️ ADVERTENCIA

Para prevenir la posibilidad de una lesión personal seria:

- **NO EXCEDA** los límites de carga de las cadenas o componentes.
- **NO LA UTILICE** si la cadena o los componentes están visualmente distorsionados o gastados.

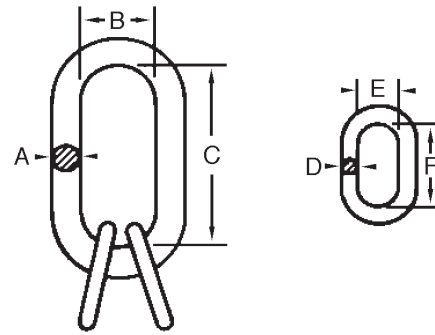
⚠️ WARNING

To prevent the possibility of serious bodily injury:

- **DO NOT EXCEED** the working load limits for chain or components.
- **DO NOT USE** if the chain or components are visibly distorted or worn.

Cam-Alloy Oblong, Master Link Sub-Assembly

Chain Size	in. mm	Cat. No.	UPC No. 020418	Approx. Weight Each		Working Load Limit	
				lb	kg	lb	kg
9/32	7	5682215	182501	4.40	2	12,900	5,900
3/8	10	5682315	182846	9.50	4	26,400	12,000
1/2	13	5682415	182518	16.00	7	45,000	20,500
5/8	16	5682515	182525	31.75	14	67,800	30,800
3/4	20	5682615	182532	50.00	23	105,900	48,100
7/8	22	5682715	167409	65.90	30	128,100	58,200



• For construction of Quad Slings, and Double Basket Slings

Chain Size	Oblong Master Link							Master Coupling Link					
	Nominal Diameter Material		Inside Dimensions				Nominal Diameter Material		Inside Dimensions				
	A		Width B		Length C		D		Width E		Length F		
in.	mm	in.	mm	in.	mm	in.	mm	in.	mm	in.	mm		
9/32	7	13/16	21	3	76	6	152	17/32	13	1 1/2	38	2 3/4	70
3/8	10	1 1/8	29	4	102	8	203	25/32	20	1 9/16	40	2 7/8	73
1/2	13	1 1/4	32	4	102	8	203	1	25	3	76	5	127
5/8	16	1 5/8	41	5 1/4	133	10 1/2	267	1 1/4	32	4	102	6	152
3/4	20	1 7/8	48	6	152	12	305	1 1/2	38	4	102	6	152
7/8	22	2 1/4	57	8	203	16	406	1 3/4	44	4	102	6	152

Dimensions and weights are approximate. These items are made to order.

Slings

⚠ ADVERTENCIA

Para prevenir la posibilidad de una lesión personal seria:

- **NO EXCEDA** los límites de carga de las cadenas o componentes.
- **NO LA UTILICE** si la cadena o los componentes están visualmente distorsionados o gastados.

⚠ WARNING

To prevent the possibility of serious bodily injury:

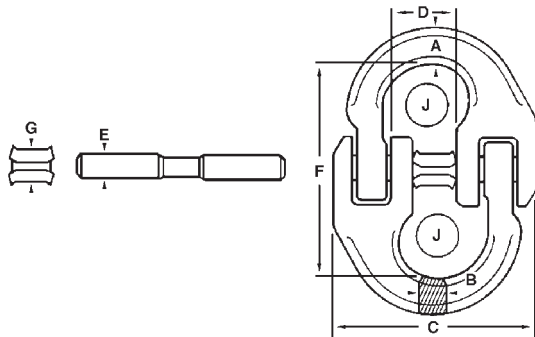
- **DO NOT EXCEED** the working load limits for chain or components.
- **DO NOT USE** if the chain or components are visibly distorted or worn.

Quik-Alloy Coupling Links

How to Assemble:

1. Loop one half body through attachment, the other through chain. Fit together.
2. Place stud assembly and alloy locking pin in link.
3. Drive the locking pin in until the snap ring engages the recessed portion of the pin. (Link is disassembled by simply driving locking pin out.)

4. Per ASME B30.9, Section 9.1.3. "Mechanical coupling links shall not be used within the body of an alloy chain sling to connect two pieces of chain."



Chain Size		System	Cat. No.	UPC No. 020418	Approx. Weight Each		Working Load Limit	
in.	mm				lb	kg	lb	kg
7/32	5.5	8	5770315	079993	.10	.05	2,100	970
9/32	7	10	5779125	182754	.27	.13	4,300	1,950
3/8	10	10	5779135	182761	.55	.25	8,800	4,000
1/2	13	10	5779145	182860	1.65	.75	15,000	6,800
5/8	16	10	5779155	182778	2.70	1.23	22,600	10,300
3/4*	19	10	5779165	182785	4.30	1.95	35,300	16,000
7/8*	22	10	5779175	080050	4.35	1.97	42,700	19,400
1	26	8	5771615	080067	8.43	3.82	47,700	21,600
1 1/4	32	8	5772015	080074	15.74	7.14	72,300	32,800

Pins and Retainers

9/32	7	10	5784425	182792	.02	.009	-	-
3/8	10	10	5784435	182808	.06	.027	-	-
1/2	13	10	5784445	182815	.11	.050	-	-
5/8	16	10	5784455	182822	.17	.077	-	-
3/4*	19	10	5784465	182839	.35	.159	-	-
7/8*	22	10	5784165	181740	-	-	-	-

Slings

Chain Size		Dimensions														Max. Mat. Dia	
		A		B		C		D		E		F		G			
in.	mm	in.	mm	in.	mm	in.	mm	in.	mm	in.	mm	in.	mm	in.	mm	in.	mm
7/32	5.5	17/64	7	7/32	6	15/16	33	7/16	11	5/32	4	1 17/32	39	3/8	10	1/2	13
9/32	7	3/8	10	1 1/32	9	23/32	44	9/16	14	13/64	5	1 3/8	60	3/8	10	37/64	15
3/8	10	1/2	13	7/16	11	2 3/8	60	13/16	21	5/16	8	2 7/16	62	23/64	9	13/16	21
1/2	13	1 1/16	17	9/16	14	3	76	1 1/32	26	25/64	10	3 3/8	86	29/64	12	1 3/16	30
5/8	16	13/16	21	23/32	18	3 7/8	98	1 9/32	33	15/32	12	3 29/32	99	35/64	14	1 5/16	33
3/4	20	15/16	24	61/64	24	4 5/8	117	1 9/16	40	9/16	14	4 1/4	121	*	16	1 11/16	43
7/8	22	1 3/16	30	1 1/16	24	5 3/8	137	1 13/16	46	41/64	16	5 5/16	135	*	30	1 7/8	48
1	26	1 15/64	31	1 9/64	29	5 7/8	149	2 1/32	52	1 1/16	17	5 7/8	149	1 3/8	35	2 1/8	54
1 1/4	32	1 1/2	38	1 3/8	35	7 3/8	187	2 9/32	58	15/16	24	6 15/16	176	1 5/8	41	2 11/32	60

Dimensions and weights are approximate.

* 3/4 and 7/8 use special oversize retainers.

⚠ ADVERTENCIA

Para prevenir la posibilidad de una lesión personal seria:

- **NO EXCEDA** los límites de carga de las cadenas o componentes.
- **NO LA UTILICE** si la cadena o los componentes están visualmente distorsionados o gastados.

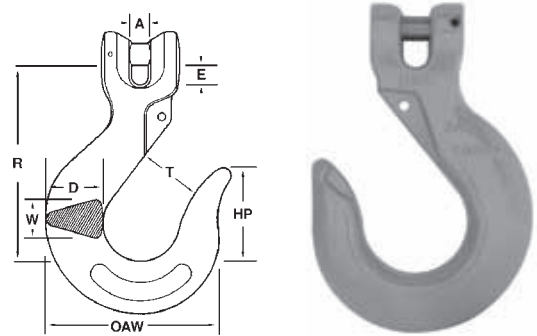
⚠ WARNING

To prevent the possibility of serious bodily injury:

- **DO NOT EXCEED** the working load limits for chain or components.
- **DO NOT USE** if the chain or components are visibly distorted or worn.

Quik-Alloy Sling Hooks, Regular

Chain Size	Cat. No.	UPC No. 020418	Approx. Weight Each		Working Load Limit	
			lb	kg	lb	kg
3/32	7	5746415	1.5	.68	4,300	1,950
3/8	10	5746615	2.8	1.27	8,800	4,000
1/2	13	5746815	6.6	3.0	15,000	6,800
5/8	16	5747015	10.5	4.76	22,600	10,300
3/4	20	5747215	17.6	7.98	35,300	16,000

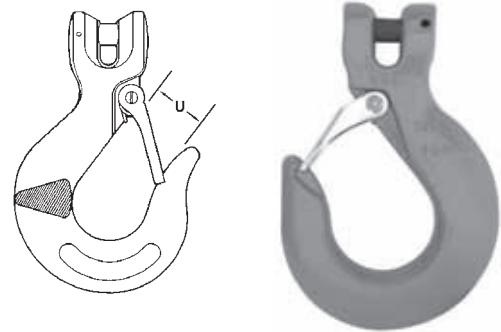


Chain Size	Dimensions																				
	R		T		U		A		E		Load Pin Dia.		D		W		HP		OAW		
in.	mm	in.	mm	in.	mm	in.	mm	in.	mm	in.	mm	in.	mm	in.	mm	in.	mm	in.	mm	in.	mm
3/32	7	3 3/4	95	1 1/4	32	1 1/16	27	5/16	8	1 1/32	9	3/8	10	1 1/8	29	3/4	19	1.78	45	3 7/8	98
3/8	10	4 3/4	121	1 5/16	41	1 5/16	33	7/16	11	1/2	13	1/2	13	1 7/16	37	1	25	2 3/8	60	4 1/2	114
1/2	13	5 3/4	146	1 7/8	48	1 1/2	38	9/16	14	5/8	16	5/8	16	2	50	1 3/8	36	3	76	6	152
5/8	16	7	178	2 3/8	59	1 3/4	44	23/32	18	3/4	19	3/4	19	2 3/8	60	1 1/2	39	3	76	6 9/16	169
3/4	20	7 3/4	197	2 1/2	64	2 3/16	56	13/16	21	7/8	22	15/16	23	2 7/8	74	1 3/4	44	3 3/8	86	7 3/4	197

Dimensions and weights are approximate.

Quik-Alloy Sling Hooks, Latched

Chain Size	Cat. No.	UPC No. 020418	Approx. Weight Each		Working Load Limit	
			lb	kg	lb	kg
3/32	7	5746495	1.5	.68	4,300	1,950
3/8	10	5746695	2.8	1.27	8,800	4,000
1/2	13	5746895	6.6	3.0	15,000	6,800
5/8	16	5747095	10.5	4.76	22,600	10,300
3/4	20	5747295	17.6	7.98	35,300	16,000



Chain Size	Dimensions																				
	R		T		U		A		E		Load Pin Dia.		D		W		HP		OAW		
in.	mm	in.	mm	in.	mm	in.	mm	in.	mm	in.	mm	in.	mm	in.	mm	in.	mm	in.	mm	in.	mm
3/32	7	3 3/4	95	1 1/4	32	1 1/16	27	5/16	8	1 1/32	9	3/8	10	1 1/8	29	3/4	19	1.78	45	3 7/8	98
3/8	10	4 3/4	121	1 5/16	41	1 5/16	33	7/16	11	1/2	13	1/2	13	1 7/16	37	1	25	2 3/8	60	4 1/2	114
1/2	13	5 3/4	146	1 7/8	48	1 1/2	38	9/16	14	5/8	16	5/8	16	2	50	1 3/8	36	3	76	6	152
5/8	16	7	178	2 3/8	59	1 3/4	44	23/32	18	3/4	19	3/4	19	2 3/8	60	1 1/2	39	3	76	6 9/16	169
3/4	20	7 3/4	197	2 1/2	64	2 3/16	56	13/16	21	7/8	22	15/16	23	2 7/8	74	1 3/4	44	3 3/8	86	7 3/4	197

Dimensions and weights are approximate.

Slings

⚠ ADVERTENCIA

Para prevenir la posibilidad de una lesión personal seria:

- **NO EXCEDA** los límites de carga de las cadenas o componentes.
- **NO LA UTILICE** si la cadena o los componentes están visualmente distorsionados o gastados.

⚠ WARNING

To prevent the possibility of serious bodily injury:

- **DO NOT EXCEED** the working load limits for chain or components.
- **DO NOT USE** if the chain or components are visibly distorted or worn.

Quik-Alloy Latches (Old Style)



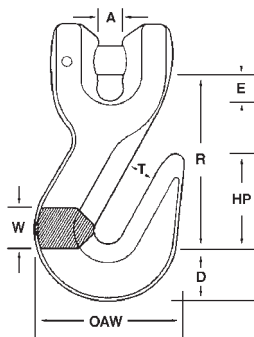
Chain Size		Sling Hook	Sling Hook with Latch	Standard Latch No.
in.	mm			
9/32	7	5744415	5744495	3990401
3/8	10	5744615	5744695	3990601
1/2	13	5744815	5744895	3990701
5/8	16	5745015	5745095	3991001
3/4	20	5745215	5745295	3991001

Quik-Alloy Latches (New Style)



Chain Size		Sling Hook	Sling Hook with Latch	Standard Latch No.
in.	mm			
9/32	7	5646415	5646495	7506495
3/8	10	5646615	5646695	7506695
1/2	13	5646815	5646895	7506895
5/8	16	5647015	5647095	7507095
3/4	20	5647215	5647295	7507295

Quik-Alloy Grab Hooks



Chain Size		Cat. No.	UPC No. 020418	Approx. Weight Each		Working Load Limit	
in.	mm			lb	kg	lb	kg
9/32	7	5724415	182600	.5	.23	4,300	1,950
3/8	10	5724615	182617	1.6	.73	8,800	4,000
1/2	13	5724815	182624	2.6	1.18	15,000	6,800
5/8	16	5725015	182631	5.2	2.36	22,600	10,300
3/4	20	5725215	182648	10.5	4.77	35,300	16,000

Slings

Chain Size		Dimensions																	
		R		T		A		E		Load Pin Dia.		D		W		HP		OAW	
in.	mm	in.	mm	in.	mm	in.	mm	in.	mm	in.	mm	in.	mm	in.	mm	in.	mm	in.	mm
9/32	7	2 11/32	60	3/8	10	5/16	8	1 1/32	9	3/8	10	1 3/16	21	5/8	16	1 1/4	32	2	51
3/8	10	2 29/32	74	1/2	13	7/16	11	1/2	13	1/2	13	1 1/4	32	3/4	19	1 5/8	41	2 13/16	71
1/2	13	3 23/32	94	2 1/32	17	9/16	14	5/8	16	5/8	16	1 1/2	38	1 5/16	24	2	51	3 1/2	89
5/8	16	4 7/16	113	2 5/32	20	2 3/32	18	3/4	19	3/4	19	1 3/4	44	1 7/32	31	2 5/8	67	4 1/8	105
3/4	20	5 1/8	130	3 1/32	25	1 9/16	21	7/8	22	7/8	22	2 1/8	54	1 3/8	35	3 1/4	83	4 7/8	124

Dimensions and weights are approximate.

Note: Use of chain in a grab hook may reduce the breaking load of the chain by up to 20%

⚠️ ADVERTENCIA

Para prevenir la posibilidad de una lesión personal sería:

- **NO EXCEDA** los límites de carga de las cadenas o componentes.
- **NO LA UTILICE** si la cadena o los componentes están visualmente distorsionados o gastados.

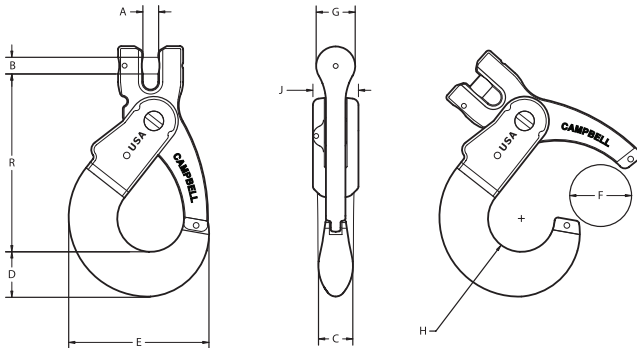
⚠️ WARNING

To prevent the possibility of serious bodily injury:

- **DO NOT EXCEED** the working load limits for chain or components.
- **DO NOT USE** if the chain or components are visibly distorted or worn.

Cam-Lok Self-locking Clevis Hooks

- Fatigue tested to ASTM A952
- Meets the intent of OSHA regulation 1926.550(g)(4)(iv)(b)
- Latch closes automatically under load
- Integrated forged latch with positive lock capability
- Trigger assembly is completely replaceable



Chain Size		Cat. No.	UPC No. 020418	Approx. Weight Each		Working Load Limit	
in.	mm			lb	kg	lb	kg
9/32	7	5748495	193309	2.35	1.06	4,300	1,950
3/8	10	5748695	193316	4.1	1.86	8,800	4,000
1/2	13	5748895	193323	8.75	3.97	15,000	6,800
5/8	16	5749095	193330	13.3	6.03	22,600	10,300

Chain Size	Dimensions																				
	A		B		C		D		E		F		G		H		J		R		
	in.	mm	in.	mm	in.	mm	in.	mm	in.	mm	in.	mm	in.	mm	in.	mm	in.	mm	in.	mm	
9/32	7	0.312	7.9	0.375	9.5	0.938	23.8	1.020	25.9	3.594	91.3	1.625	41.3	1.000	25.4	0.875	22.2	1.250	31.8	4.688	119.1
3/8	10	0.438	11.3	0.500	12.7	1.125	28.6	1.250	31.8	4.312	109.5	1.875	47.6	1.125	28.6	1.063	27.0	1.500	38.1	5.563	141.3
1/2	13	0.563	14.3	0.625	15.9	1.312	33.3	1.796	45.6	5.404	137.3	2.250	57.2	1.500	38.1	1.281	32.5	1.750	44.5	6.844	173.8
5/8	16	0.719	18.3	0.750	19.0	1.500	38.1	2.169	55.1	6.500	165.1	2.375	60.3	1.625	41.3	1.500	38.1	2.000	50.8	8.250	209.6

Cam-Lok Repair Kits

Repair Kit Contents:

- Pivot Pin
- Drive Pins (3)
- Trigger
- Trigger Spring
- Spring Alignment Insert

Hook Size		Cat. No.	UPC No. 020418
in.	mm		
9/32	7	5788495	207518
3/8	10	5788695	207525
1/2	13	5788895	210600
5/8	16	5789095	211874



5788495

Slings

⚠ ADVERTENCIA

Para prevenir la posibilidad de una lesión personal seria:

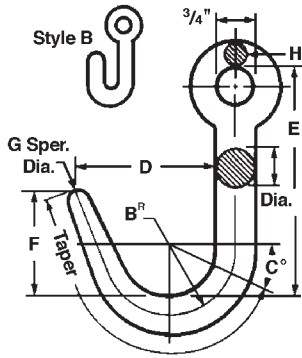
- **NO EXCEDA** los límites de carga de las cadenas o componentes.
- **NO LA UTILICE** si la cadena o los componentes están visualmente distorsionados o gastados.

⚠ WARNING

To prevent the possibility of serious bodily injury:

- **DO NOT EXCEED** the working load limits for chain or components.
- **DO NOT USE** if the chain or components are visibly distorted or worn.

Miscellaneous Cam-Alloy Sling Products "J" Hooks

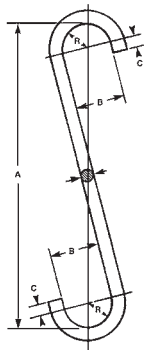


Style	Nominal Dia. Material		Cat. No.	UPC No. 020418	Approx. Weight Each		Working Load Limit	
	in	mm			lb	kg	lb	kg
A	3/4	19	5616215	078484	1.2	.54	2,250	1,000
B	1	26	5616615	078491	2.8	1.27	3,600	1,600
*A	1	26	5616616	189777	2.8	1.27	3,600	1,600

Style	Nominal Dia. Material		Dimensions												
			B ^R		C [°] Angle	D		E		F		G		H	
	in.	mm	in.	mm		in.	mm	in.	mm	in.	mm	in.	mm	in.	mm
A	3/4	19	1.31	33	25	2.69	68	4.38	111	2.06	52	.38	10	15/32	12
B	1	26	2.00	51	90	3.64	92	6.75	171	4.00	102	.28	7	15/32	12
*A	1	26	2.00	51	90	4.13	105	6.75	171	3.88	99	.28	7	15/32	12

*Available on special order only.
Dimensions and weights are approximate.

"S" Hooks



Nominal Dia. Material		Cat. No.	UPC No. 020418	Dimensions								Approx. Weight Each		Working Load Limit	
				A		B		C		R					
in.	mm			in.	mm	in.	mm	in.	mm	in.	mm	lb	kg	lb	kg
9/32	7	5610405	078262	2.75	70	.75	19	.38	10	.38	10	.07	.03	250	110
3/8	10	5610605	078279	4.13	105	1.13	29	.56	14	.56	14	.33	.15	500	200
1/2	13	5610805	078286	5.50	140	1.50	38	.75	19	.75	19	.59	.27	1,000	500
5/8	16	5611005	078293	7.00	178	1.88	48	.94	24	.94	24	1.24	.56	1,500	700
3/4	19	5611205	078309	8.25	210	2.25	57	1.13	29	1.13	29	2.31	1.05	2,000	900
7/8	22	5611405	181580	9.63	245	2.63	67	1.31	33	1.31	33	3.05	1.38	2,700	1,200
1	26	5611605	078323	11.00	279	3.00	76	1.50	38	1.50	38	4.45	2.02	3,200	1,500
1 1/8	29	5611805	180125	12.13	308	3.38	86	1.69	43	1.69	43	6.48	2.94	3,500	1,600

Dimensions and weights are approximate.
These items are made to order.

ADVERTENCIA

Para prevenir la posibilidad de una lesión personal seria:

- **NO EXCEDA** los límites de carga de las cadenas o componentes.
- **NO LA UTILICE** si la cadena o los componentes están visualmente distorsionados o gastados.

WARNING

To prevent the possibility of serious bodily injury:

- **DO NOT EXCEED** the working load limits for chain or components.
- **DO NOT USE** if the chain or components are visibly distorted or worn.